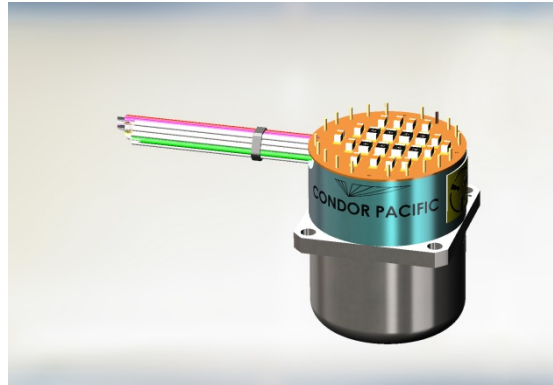


## TG400 Dynamically Tuned Gyroscope

The Condor Pacific TG400 is a rugged high performance dynamically tuned gyroscope designed to meet the requirements of stabilization, navigation, and demanding wellbore surveying needs of both strap down and gimballed applications.

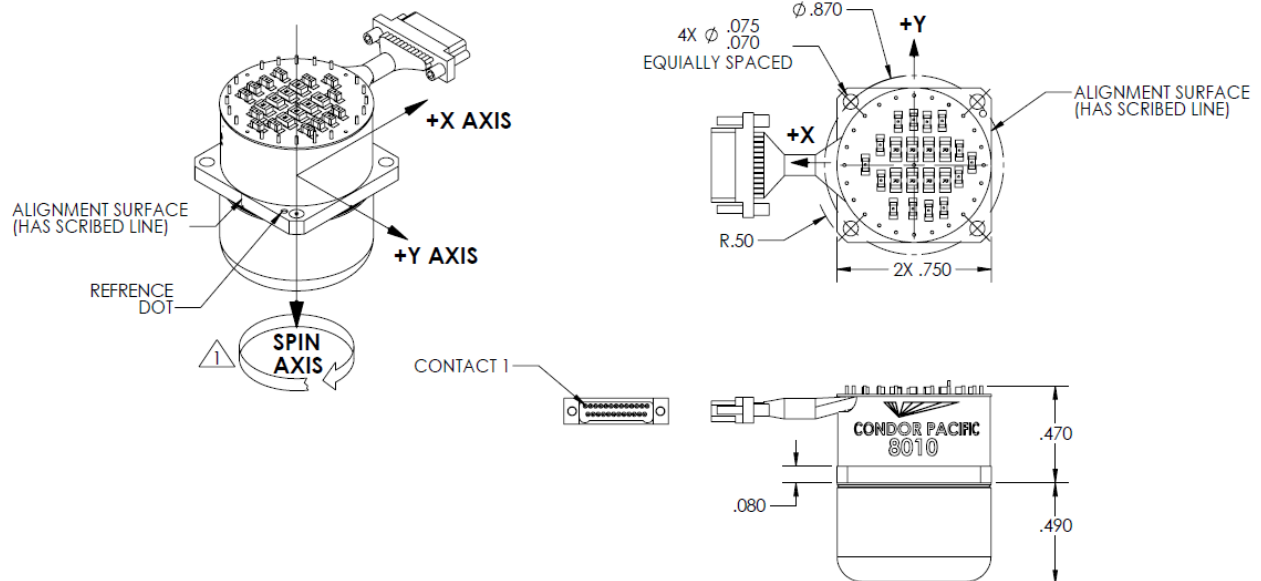


Specifications			
G-Insensitive Drift	Random Drift	<0.10	deg/Hr
	Non-G-Sensitive Drift (Compensatable)	300	deg/Hr
	Non-G-Sensitive Drift Tempco	<0.3	deg/Hr/°C
G-Sensitive Drift	G-Sensitive Drift	25	deg/Hr/G
	G-Sensitive Drift Tempco	TBD	deg/Hr/G/°C
	G <sup>2</sup> Sensitive Drift	0.1	deg/Hr/G <sup>2</sup>
Rate Capability	Max Input Rate (Continuous)	60	deg/Sec
	Max Input Rate (Intermittent)	100	deg/Sec
Environmental Capability	Temp Range	-40 to +120	°C
	Magnetic Sensitivity	TBD	deg/Hr/gauss
Torquer	Torquer Scale Factor	425	deg/Hr/mA
	Resistance	<10	ohms
	Torquer Scale Factor Tempco	TBD	PPM/°C
	Torquer Scale Factor Linearity	<0.1	%
	Torquer Axis Alignment (Compensatable)	2	deg



# Condor Pacific Industries

Specifications (continued)		
Spin Motor	Frequency	1200 Hz
	Number of Phases	2
	Start Voltage (Optional)	15-28 VRMS
	Run Voltage	8-12 VRMS
	Start Power	<15 Watts
	Run Power	<0.75 Watts
	Runup Time	<6 Seconds
Pickoff	Excitation Frequency	43200 Hz, Sine
	Input Voltage	6.5 VRMS
	Input Current	<5 mA
	Pickoff Scale Factor	500 mV/mrad
Alignment	Pickoff to Case	2 deg
	Torquer to Case	2 deg
	Spin Axis to Reference Surface (max)	0.25 deg
Rotor and Suspension	Speed	400 Hz
	Minimum Angular Freedom	12 mrad
Temperature Sensor (Optional)	AD590	



**Condor Pacific Industries, Inc.**

905 Rancho Conejo Blvd, Newbury Park, CA 91320

Phone: 818-889-2150 FAX: 818-889-2160 E-mail: sales@condorpacific.com

Cage Code 4LSHO