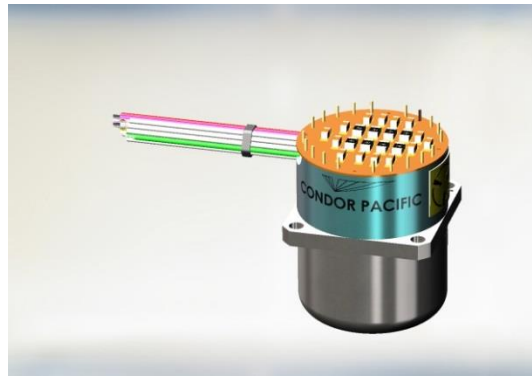


TG400 Dynamically Tuned Gyroscope

The Condor Pacific TG400 is a rugged high performance dynamically tuned gyroscope designed to meet the requirements of stabilization, navigation, and demanding wellbore surveying needs of both strap down and gimballed applications. The TG400 is a new product. The performance defined here is expected to improve as the product matures.



Specifications

G-Insensitive Drift	Random Drift	<0.04	deg/Hr
	Non-G-Sensitive Drift (Compensatable)	300	deg/Hr
	Non-G-Sensitive Drift Tempco	<0.3	deg/Hr/°C
G-Sensitive Drift	G-Sensitive Drift	25	deg/Hr/G
	G-Sensitive Drift Tempco	0.15	deg/Hr/G/°C
	G ² Sensitive Drift	0.1	deg/Hr/G ²
Rate Capability	Max Input Rate (Continuous)	60	deg/Sec
	Max Input Rate (Intermittent)	100	deg/Sec
Environmental Capability	Temp Range	-40 to +120	°C
	Magnetic Sensitivity	TBD	deg/Hr/gauss
Torquer	Torquer Scale Factor	425	deg/Hr/mA
	Resistance	<10	ohms
	Torquer Scale Factor Tempco	100	PPM/°C
	Torquer Scale Factor Linearity	<0.1	%
	Torquer Axis Alignment (Compensatable)	2	deg

Condor Pacific Industries, Inc.

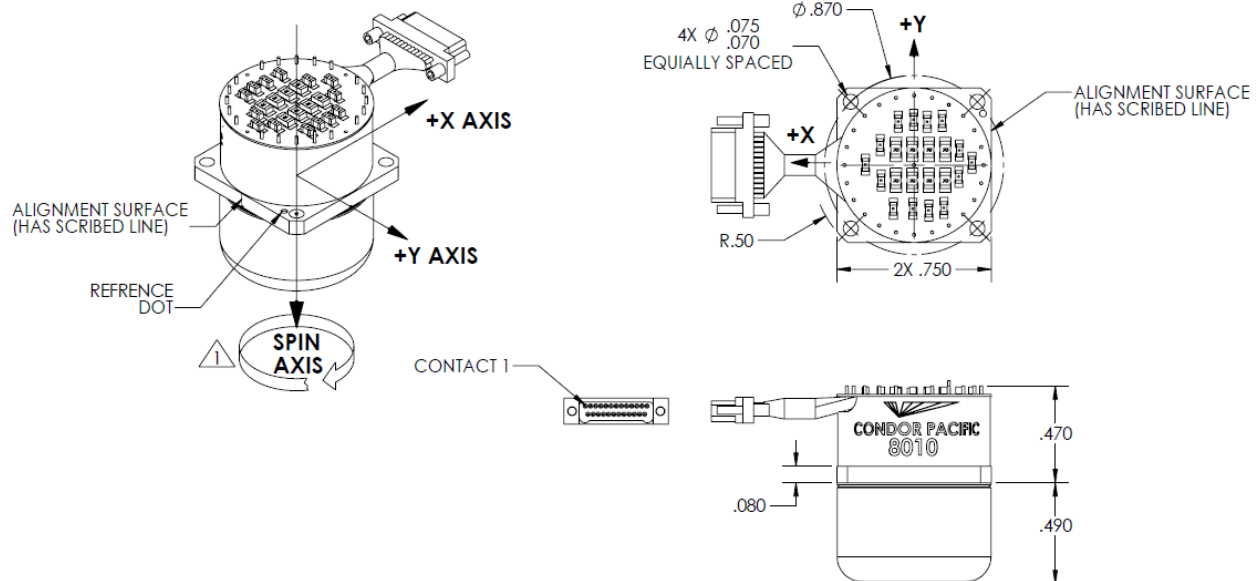
905 Rancho Conejo Blvd, Newbury Park, CA 91320

Phone: 818-889-2150 FAX: 818-889-2160 E-mail: sales@condorpacific.com

Cage Code 4LSH0

Condor Pacific Industries

Specifications (continued)			
Spin Motor	Frequency	1200	Hz
	Number of Phases	2	
	Start Voltage (Optional)	15-28	VRMS
	Run Voltage	8-12	VRMS
	Start Power	<15	Watts
	Run Power	<0.75	Watts
	Runup Time	<6	Seconds
Pickoff	Excitation Frequency	43200	Hz, Sine
	Input Voltage	6.5	VRMS
	Input Current	<5	mA
	Pickoff Scale Factor	500	mV/mrad
Alignment	Pickoff to Case	2	deg
	Torquer to Case	2	deg
	Spin Axis to Reference Surface (max)	0.25	deg
Rotor and Suspension	Speed	400	RPS
	Minimum Angular Freedom	12	mrاد
Temperature Sensor (Optional)		AD590	



Condor Pacific Industries, Inc.

905 Rancho Conejo Blvd, Newbury Park, CA 91320

Phone: 818-889-2150 FAX: 818-889-2160 E-mail: sales@condorpacific.com

Cage Code 4LSH0